



OLE WOLFF

DYNAMIC SPEAKER OWS-424231T-4A



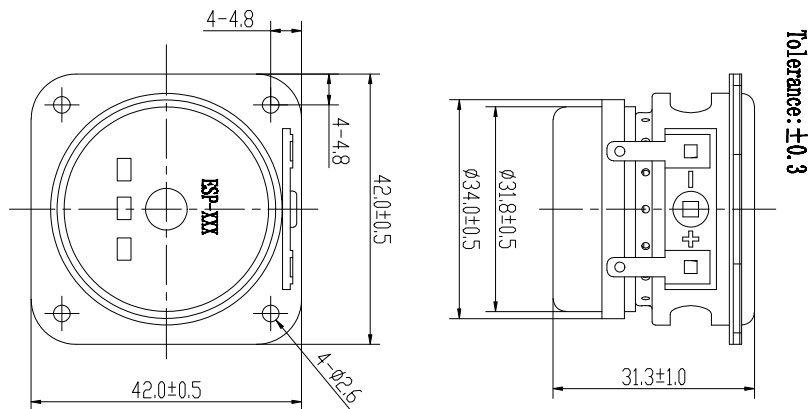
True full-range performance from a small package. Optimized for ~75cc enclosures.

CHARACTERISTICS

Impedance [Ω]	$4 \pm 15\%$ @ 1 kHz / 1V
SPL [dB rel 20 μ Pa]	105 ± 3 @ 1W / 2cm average at 0.8, 1, 1.2 and 1,5 kHz
Resonance Frequency [Hz]	130 ± 20 Hz
Total Harmonic Distortion [%]	As shown in graph
Input Power (nom./max) [W]	4 / 6
Termination*	Terminals

*For other termination options please contact sales@owolff.com or your local Ole Wolff representative.

PHYSICAL DIMENSIONS [mm]



42mm FULL-RANGE SOLUTION FOR ~75cc ENCLOSURES

FEATURES

- Resonance frequency 160 Hz in 75cc volume
- Powerful linear excursion ± 3 mm
- Extended high frequency response
- Paired with the Ole Wolff 42x95mm Passive Radiator, the low frequency response extends down to 60 Hz i 75cc vol.¹

1) For a flat response down to 60 Hz, processing of frequencies < 160Hz is required.

GRAPHS

Test conditions: 1W / 2cm

